

Dome Camera HCDC-D100

Features

- 1/3" SONY SUPER HAD IT CCD
- Minimum illumination 0.5Lux @ F2.0
- High resolution over 540TV Lines
- 480TV Lines
- Digital Signal Processing(DSP) allows better Picture quality

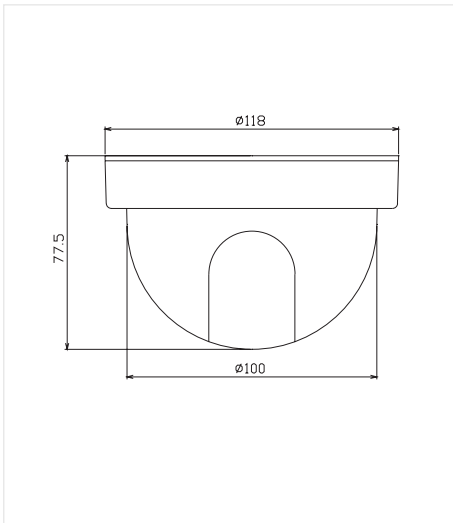
Dimension

Specifications

Image Sensor	1/3" SONY SUPER HAD IT CCD	
Total Pixels	410K(NTSC), 470K(PAL)	
Scanning System	NTSC Standard 525lines	PAL Standard 625lines
Sync. Mode	Internal	
Resolution	540TV Line	480TV Line
Video Output	VBS 1.0Vp-p Composite / 75Ω	
S/N Ratio	More than 50dB / 48dB (AGC OFF)	
Min.illumination	0.5Lux @ F2.0	0.3Lux @ F2.0
Gamma	γ=0.45	
White Balance	Automatic White Balance	
Backlight Compensation	Auto	
Lens Mount	Built in fixed board Lens f=3.6mm @ F2.0	
Shutter Speed	1/60 ~ 1/100,000sec	1/50 ~ 1/100,000sec
Operating Tem.	14°F ~ 122°F (-10°C ~ 50°C)	
Humidity	Within 90% RH	
Power	DC 12V ±10%, 2.4Watts	
Dimension(mm)	φ100 x 75(H)mm	